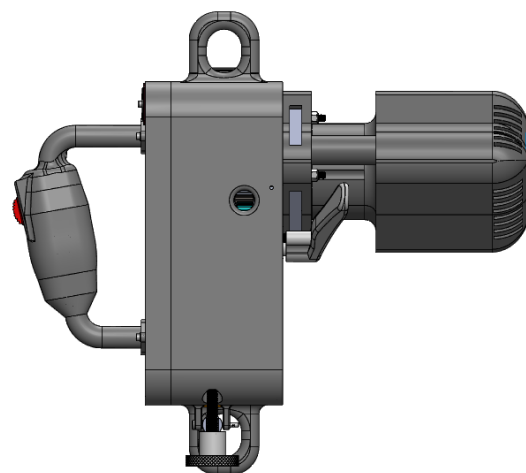
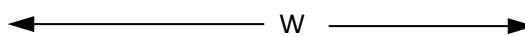
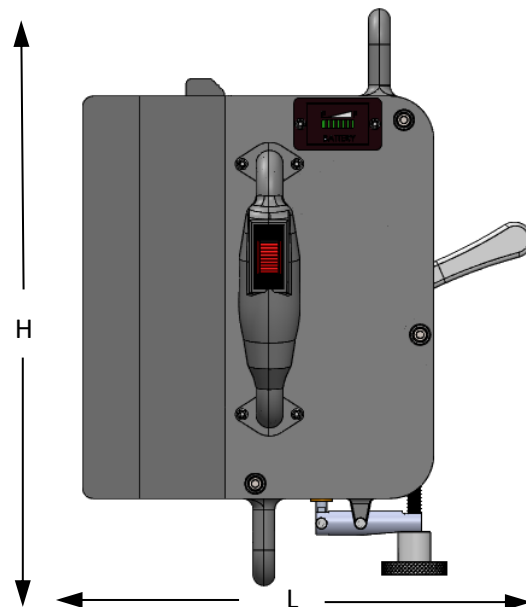


Ronin Lift

PN 2805-11



| | |
|------------------------------------|---|
| Category | Battery Powered Rope Ascender |
| Length (L) | 11.35 inches |
| Width (W) | 15.39 inches |
| Height (H) | 13.35 inches |
| Weight | Approximately 24 lbs. (11 Kg) |
| Construction | Aluminum, Stainless Steel and Bronze |
| Finish | Powder Coat Black |
| Operating Temperature Range | -4 °F – 120 °F (-20°C to +49°C) |
| Ingress Protection (IP) | IP54 |
| Battery Type | 28 VDC Lithium Ion Rechargeable |
| Battery Life Ascent | 350 ft.(107m) of rope @ 400lbs. 700 ft.(213m) of rope @ 200lbs. |
| Battery Re-Charge Time | Approximately 2 hours |
| Rope Type | 11 – 13 mm Aramid or Kernmantle Sheath Static Line Rope |
| Rope Loading | End Feed |
| Ascent Speed | Variable (0.5 – 1.5 ft./per second) |
| Descent Method | Gravity Feed with manual brake |
| Descent Speed | 3.5 ft./sec. max @ 400 lbs. (181Kg) |
| Secondary Safety | Secondary Lock Out Feature (Hands Free) |
| Max Working Load | 400 lbs. (181 Kg) |
| Product Certifications | CE Certified & ANSI Certified |
| Reverse Functionality | For Angled Ascents, winching applications, removing rope from the system. |



Features

- Lightweight & portable
- Rugged and durable construction
- 400 lbs. (181Kg) continuous lifting capacity
- Thumb wheel trigger for variable speed control
- Automatic braking feature for hands free work
- Hot swappable battery pack for continuous use
- Integrates with existing climbing technology
- CE and ANSI Certified
- Can act as both a winch and ascender

Applications

- Gear Hauling / Winching
- Rope Ascending
- Oil & Gas
- Search & Rescue
- Confined Space Extraction
- Tower / Power Electric
- Concert / Stage Rigging
- Arborist
- Wind Turbine & Many More